



Frame

Pre-fitted Led lights

Wheeled carry bag

The Illumigo Modular is a striking large-format illuminated display system, standing at 2389mm high and engineered for exceptional visual impact. Designed with flexibility in mind, it delivers seamless backlit SEG graphics across widths of up to 7.85 metres—making it a standout choice for retail spaces, exhibitions, and promotional environments, all without the premium price tag.

## Product Specifications

- Free-standing double-sided white aluminium frame, 120 mm thick
- Pre-fitted horizontal LED lights
- Full feet included
- Internal reinforcement tubes
- Graphic attachment with SEG optional
- Nylon wheeled carry bag with foam insert for protection, carry handle and shoulder strap included

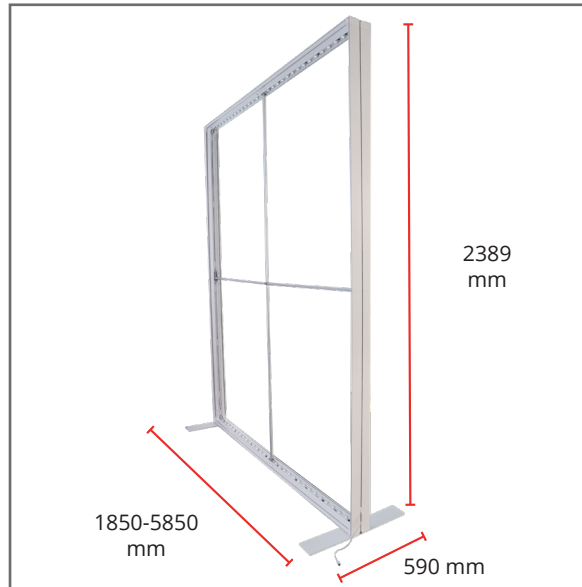
## Features and Benefits

- Fast Tool-Free assembly: Push-fit frame system with pre-installed LED. Feet push in place and are held using thumbscrews.
- Available in 5 widths: 1850, 2850, 3850, 4850, 5850 mm
- Exceptional expandability: the frame can be extended using either 850 mm or 1000 mm extension pieces. Perfect for wide-format lightbox applications. Expandable up to 7.85m maximum.
- Frames can be configured in T, L or U shapes (optional connectors)
- Half foot and blind foot available as optional accessories, depending on the chosen configuration
- Accessoriable structures: optional A4 literature holder

## Recommended Media

- Backlit fabric made with 3 x 12 mm SEG
  - For double-sided printing, use 2 backlite graphics
- For single-sided printing, use 1 backlite graphic + 1 black back (black out)

The printing templates provided are for guidance only. They take into account internal processes which may vary depending on your equipment, materials and finishes. If you are printing your own material, it is your responsibility to test the compatibility of your media with the product before use.



### Extensions : transformer information

Additional transformers are not included with the frames. If you are planning an extension, additional transformers may be required. The table below indicates the number of transformers required per width.

Frame width	Number of transformers
Up to 3m	1
Up to 4m	2
Up to 4,8m	3
From 4,85m to 7,85m	4

### Hardware Information

Code	Description	Hardware assembled dimensions (mm) w x h x d	Hardware assembled weight*	Package dimensions (mm) h x w x d	Package weight
ILLGO-MOD-1824	Illumigo Modular 1850(w) x 2380(h)	1850 x 2389 x 590	22,7 kg	175 x 1450 x 450	24,8 kg
ILLGO-MOD-2824	Illumigo Modular 2850(w) x 2380(h)	2850 x 2389 x 590	29,1 kg	175 x 1450 x 500	31,31 kg
ILLGO-MOD-3824	Illumigo Modular 3850(w) x 2380(h)	3850 x 2389 x 590	36,8 kg	175 x 1450 x 450 + 75 x 1360 x 450	40,75 kg
ILLGO-MOD-4824	Illumigo Modular 4850(w) x 2380(h)	4850 x 2389 x 590	45,1 kg	175 x 1450 x 450 + 175 x 1360 x 450	49 kg
ILLGO-MOD-5824	Illumigo Modular 5850(w) x 2380(h)	5850 x 2389 x 590	51,6 kg	175 x 1450 x 450 + 175 x 2145 x 450	55,35 kg
ILLGO-MOD-EXT-0824	Illumigo Modular 850(w) x 2380(h)	850 x 2389 x 590	6,45 kg	170 x 1280 x 230	7,7 kg
ILLGO-MOD-EXT-1024	Illumigo Modular 1000(w) x 2380(h)	1000 x 2389 x 590	7 kg	180 x 1280 x 235	8,15 kg

\*Without graphic

# Lightboxes

## ILLUMIGO™ MODULAR

V2

### Hardware Information: components and lighting info

Code	Foot quantity	Rods quantity	Cross quantity	Bracket quantity	Transformer quantity	Input power	Output power	Kelvin	Lumens	Watts
ILLGO-MOD-1824	3	4	1	8	1	100-240v 50/60Hz 3.5A	24V 11A 264W	6500	24504	168
ILLGO-MOD-2824	4	7	2	10	1				38148	258
ILLGO-MOD-3824	5	10	3	12	2				51792	348
ILLGO-MOD-4824	6	13	4	14	4				65436	437
ILLGO-MOD-5824	7	16	5	16	4				79080	528
ILLGO-MOD-EXT-0824	1	2	1	2	0				N/A	N/A
ILLGO-MOD-EXT-1024	1	2	1	2	0	N/A	N/A	N/A	N/A	N/A

Standard foot

Rods



Cross



Bracket



Transformer



- Length from plug to transformer : 1790 mm
- Length from transformer to hardware : 1655 mm



ILLGO-MOD-1824



ILLGO-MOD-2824



ILLGO-MOD-3824



ILLGO-MOD-4824



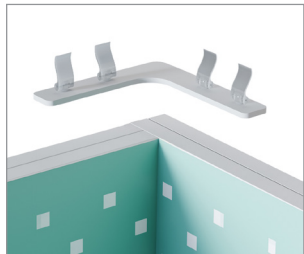
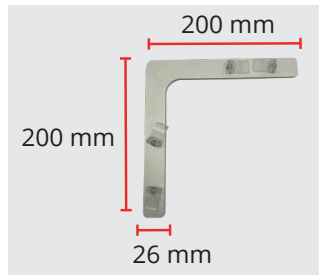
ILLGO-MOD-5824

## Connectors information (not included with the frame, please order separately)

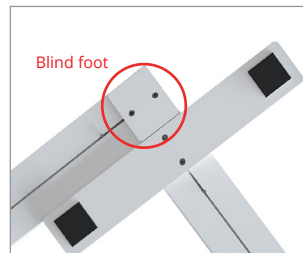
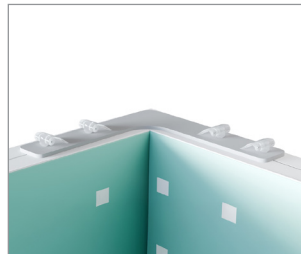
## 90° configurations

**90° Top corner connector:****ILLGO-90TC** (sold per unit)

- Designed to join 2 frames at a 90° angle without any loss of space.
- For use only at the top of the frames
- **Must be completed with a blind foot** at the bottom (**ILLGO-MOD-BF**, sold separately).



Top view



Bottom view

Loss of 120 mm of visible graphic on one of the 2 frames

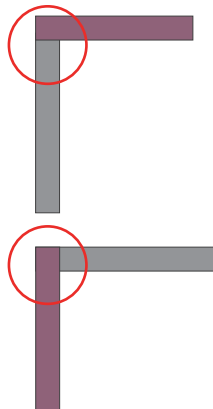
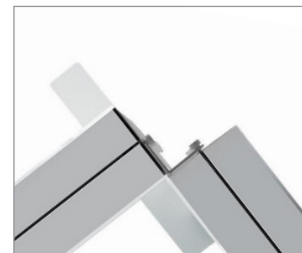
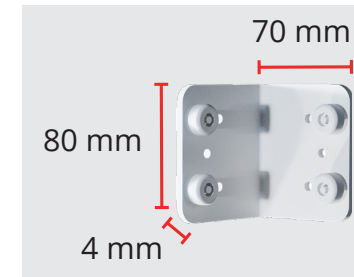


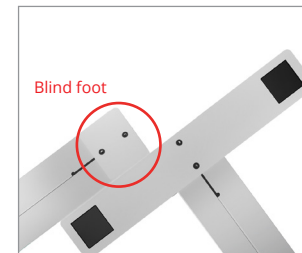
Diagram – Top view of frames

**90° Middle inside corner connectors:****ILLGO-MOD-90MIC** (4 included)

- Designed to connect 2 frames at a 90° angle.
- Used on the vertical edge of the frames.
- **Must be completed with a blind foot** at the bottom (**ILLGO-MOD-BF**, sold separately).



Top view



Bottom view

120 x 120 mm loss of space

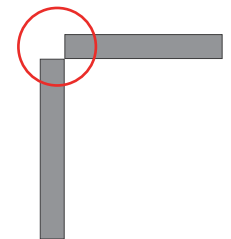


Diagram – Top view of frames

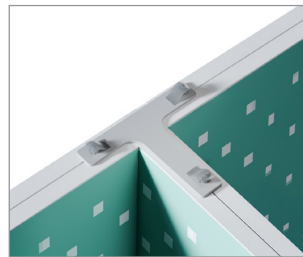
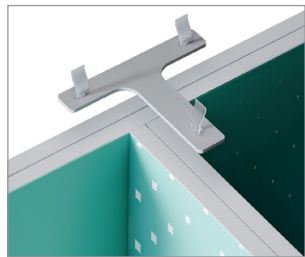
## Connectors information (not included with the frame, please order separately)

## T-shape configurations

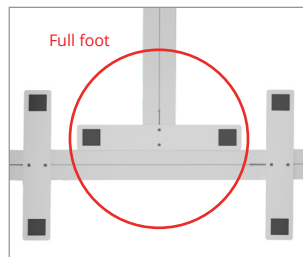
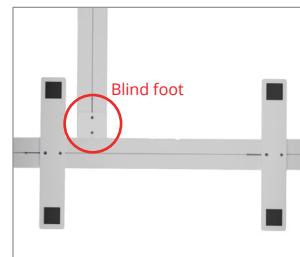
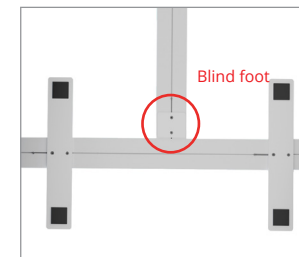
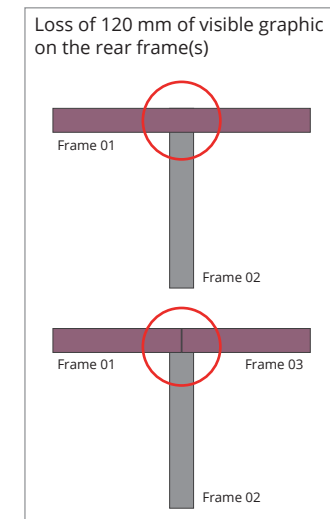
**T-shape connector:**

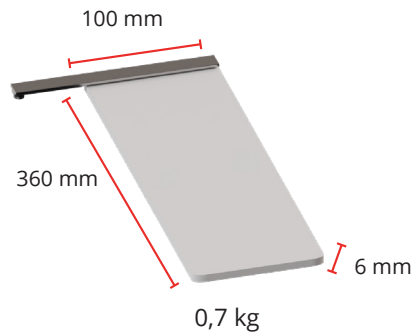
ILLGO-TC (sold per unit)

- Designed to connect 2 or 3 frames in a T-shape.
- For use only at the top of the frames.
- **Can be completed with a blind foot at the bottom**, depending on the desired configuration (**ILLGO-MOD-BF**, sold separately).

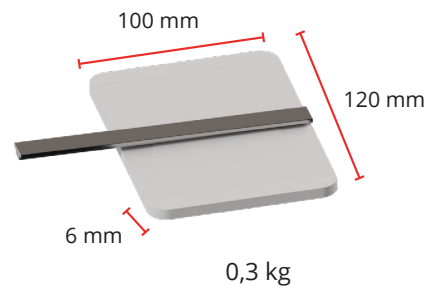


Top view

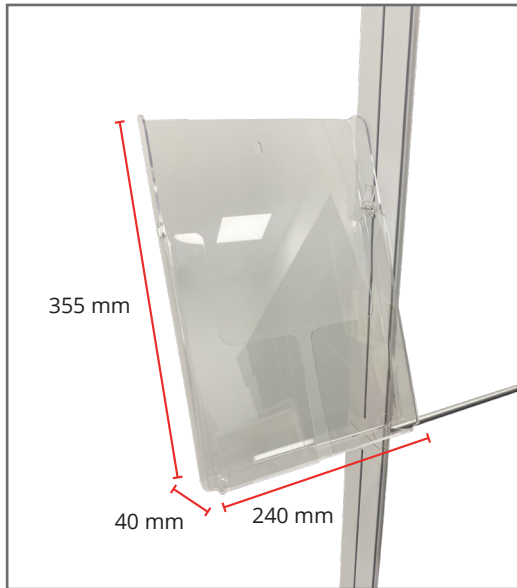
Bottom view  
Option 01Bottom view  
Option 02Bottom view  
Option 03

**Feet information (not included with the frame, please order separately)****Half Foot**

=> Ideal when the frame is used against a wall  
(maximise space)

**Blind Foot**

=> Required when 2 frames are assembled at a 90° angle or sometimes in a T-shape.  
It replaces the corner foot of one of the frames to allow the 2 frames to be connected (see connectors page).

**Literature holder information (not included with the frame, please order separately)**

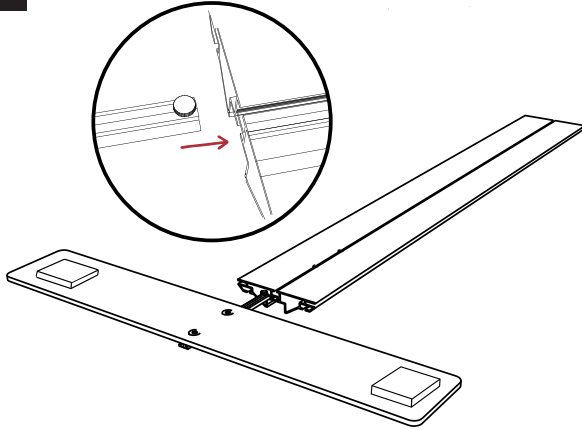
- Acrylic literature holder for A4 documents
- Attaches into the channel profile
- It can be mounted in two ways:
  - Option 1:** from the side of the document holder
  - Option 2:** from the back of the document holder
- Maximum load: 1.1 kg
- For frame stability, install no more than two holders per frame.



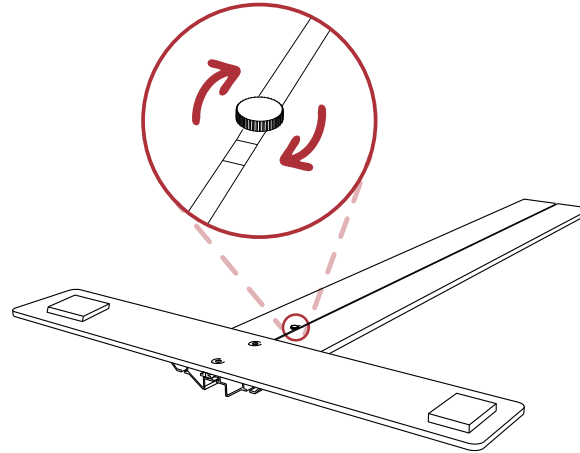
Code	Description	Assembled dimensions (mm) w x h x d	Net weight
ILLGO-LH-A4	A4 literature holder	240 x 355 x 40	0,41 kg

## Assembly of the hardware and graphic

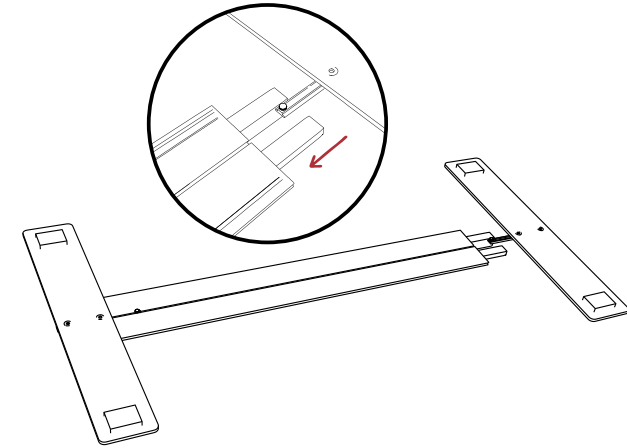
1



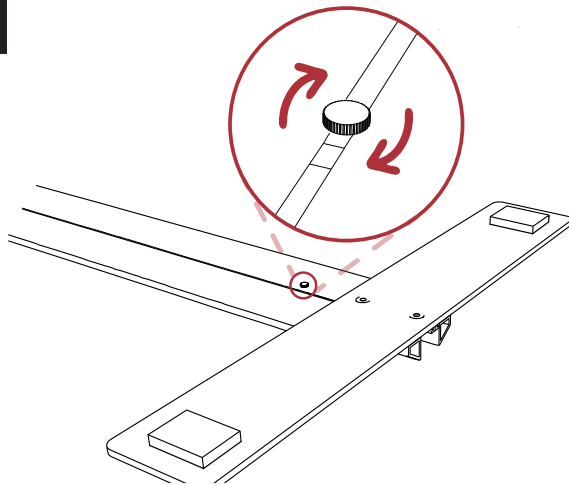
2



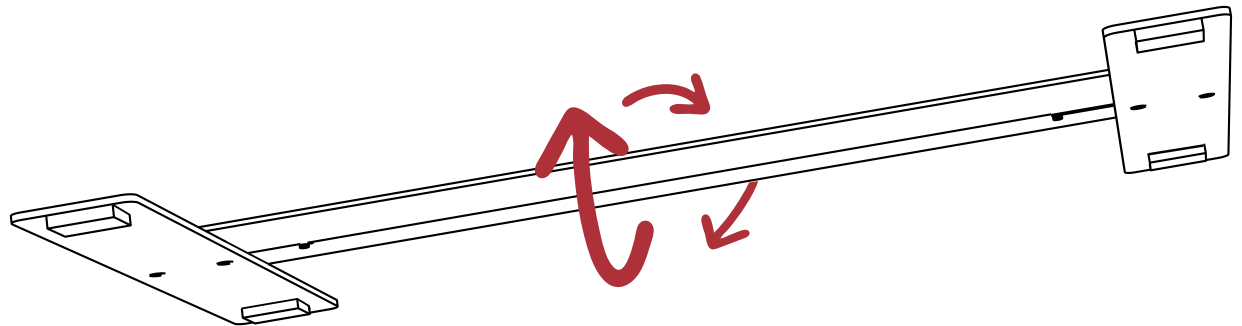
3



4

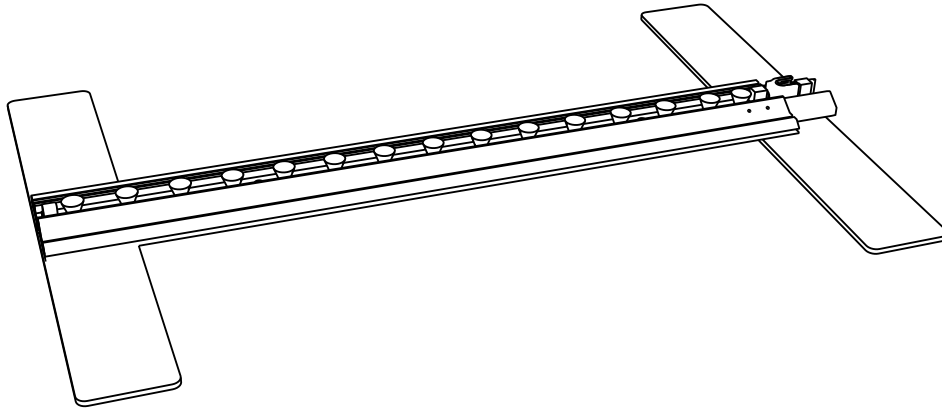


5



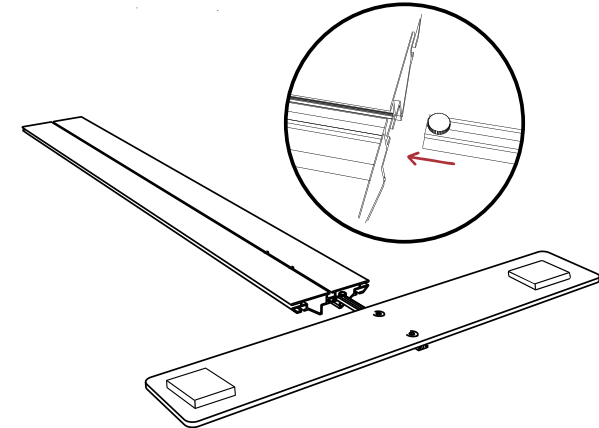
## Assembly of the hardware and graphic

6

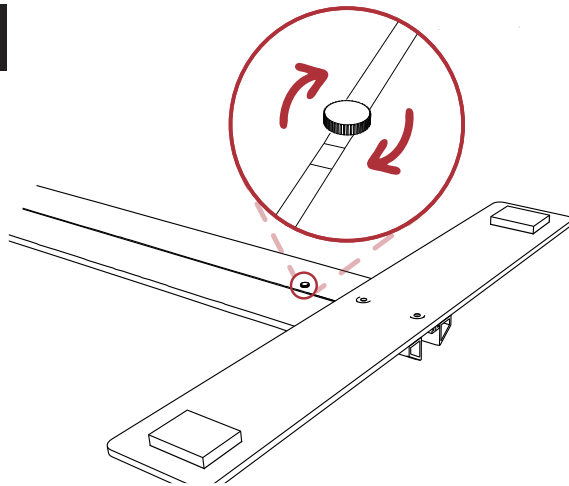


7

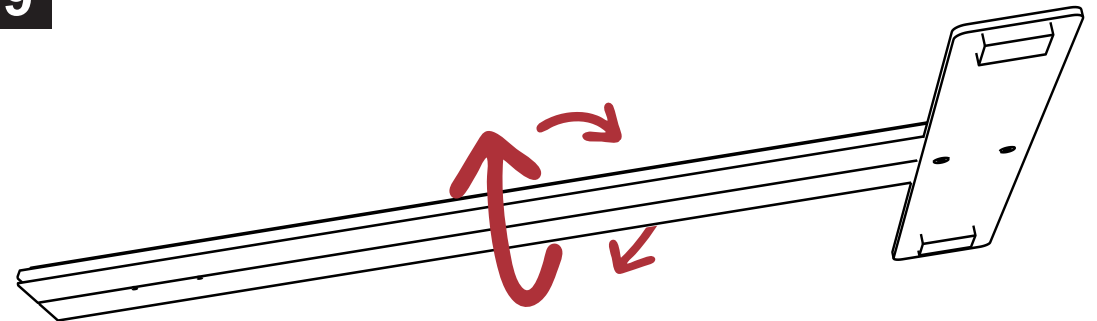
Assemble a third foot with its section



8



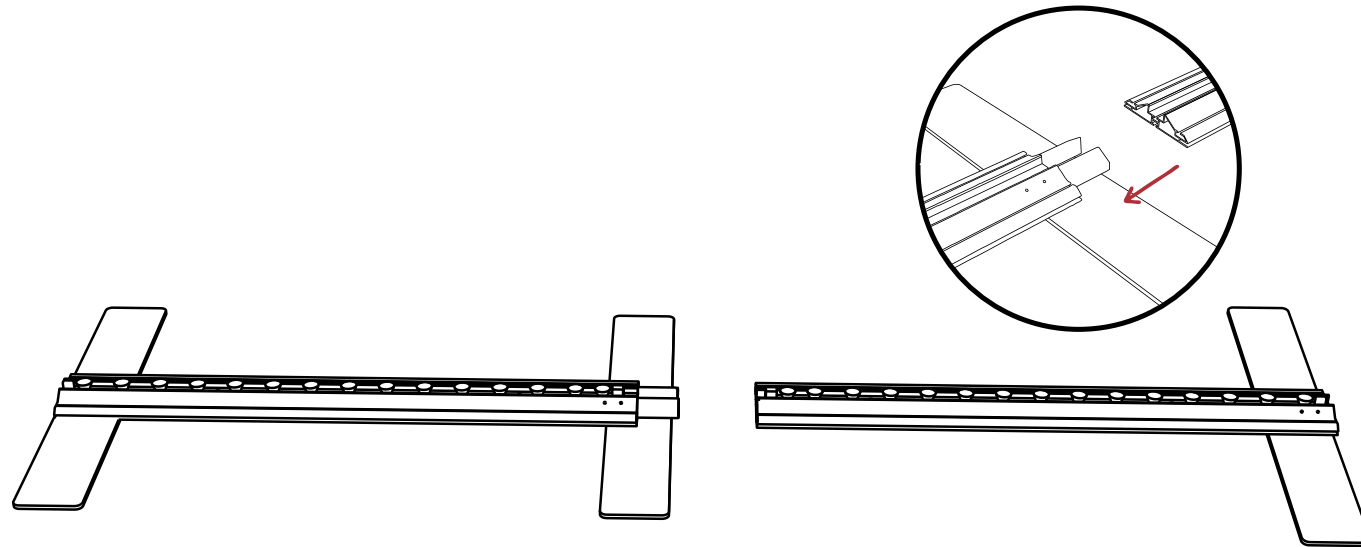
9



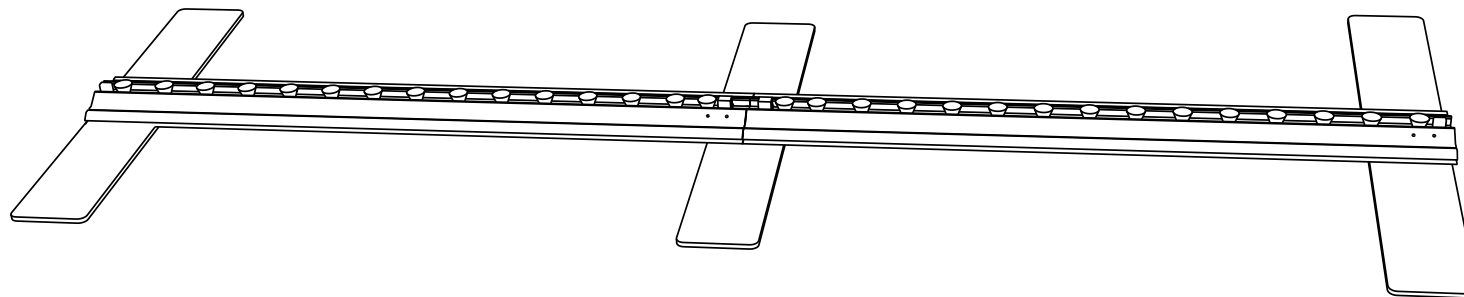
For larger sizes, repeat steps 1–9 for all remaining feet

## Assembly of the hardware and graphic

10

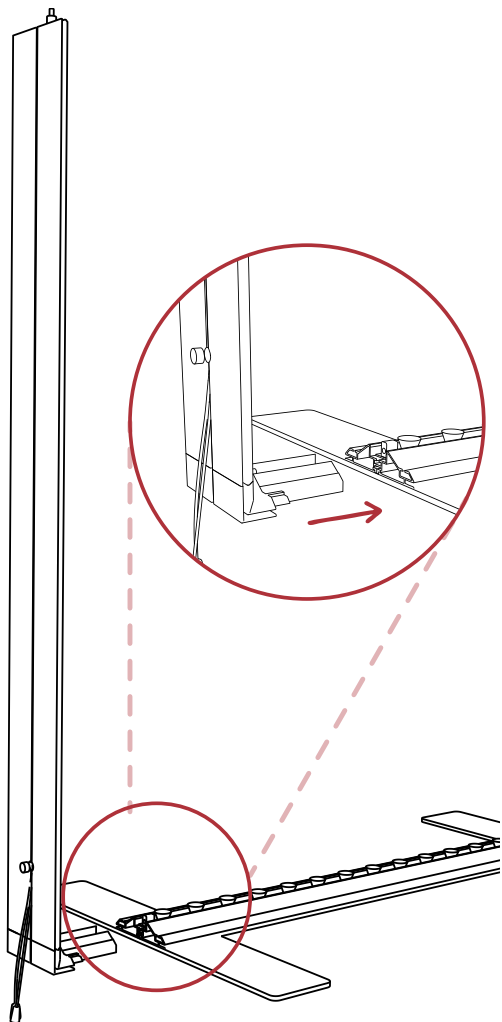


11

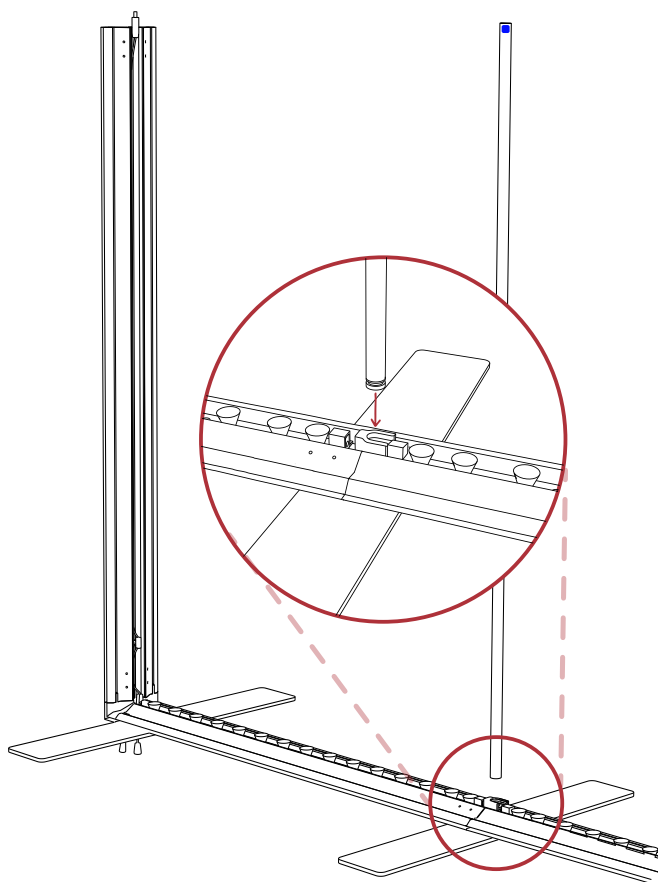


## Assembly of the hardware and graphic

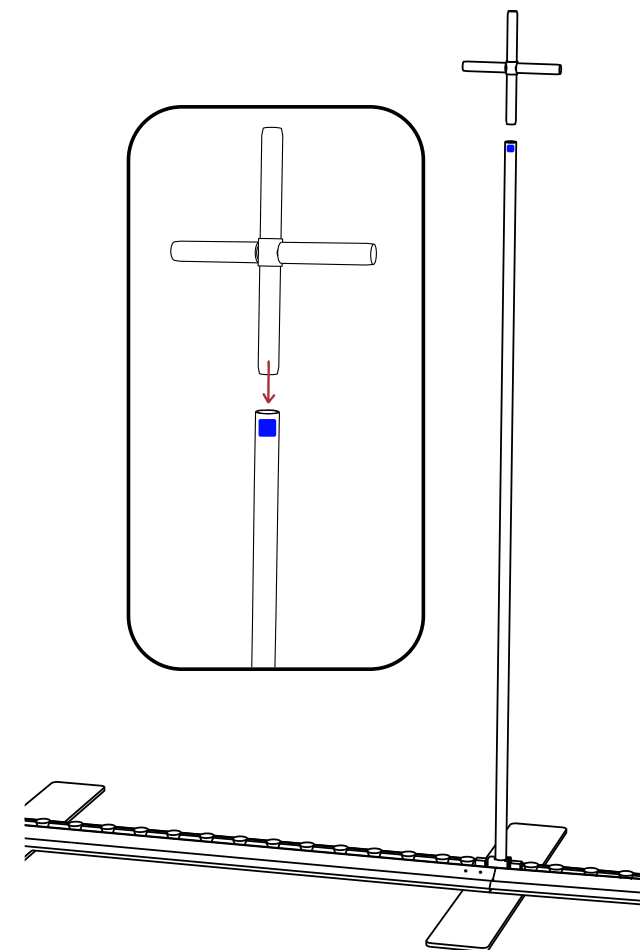
12



13

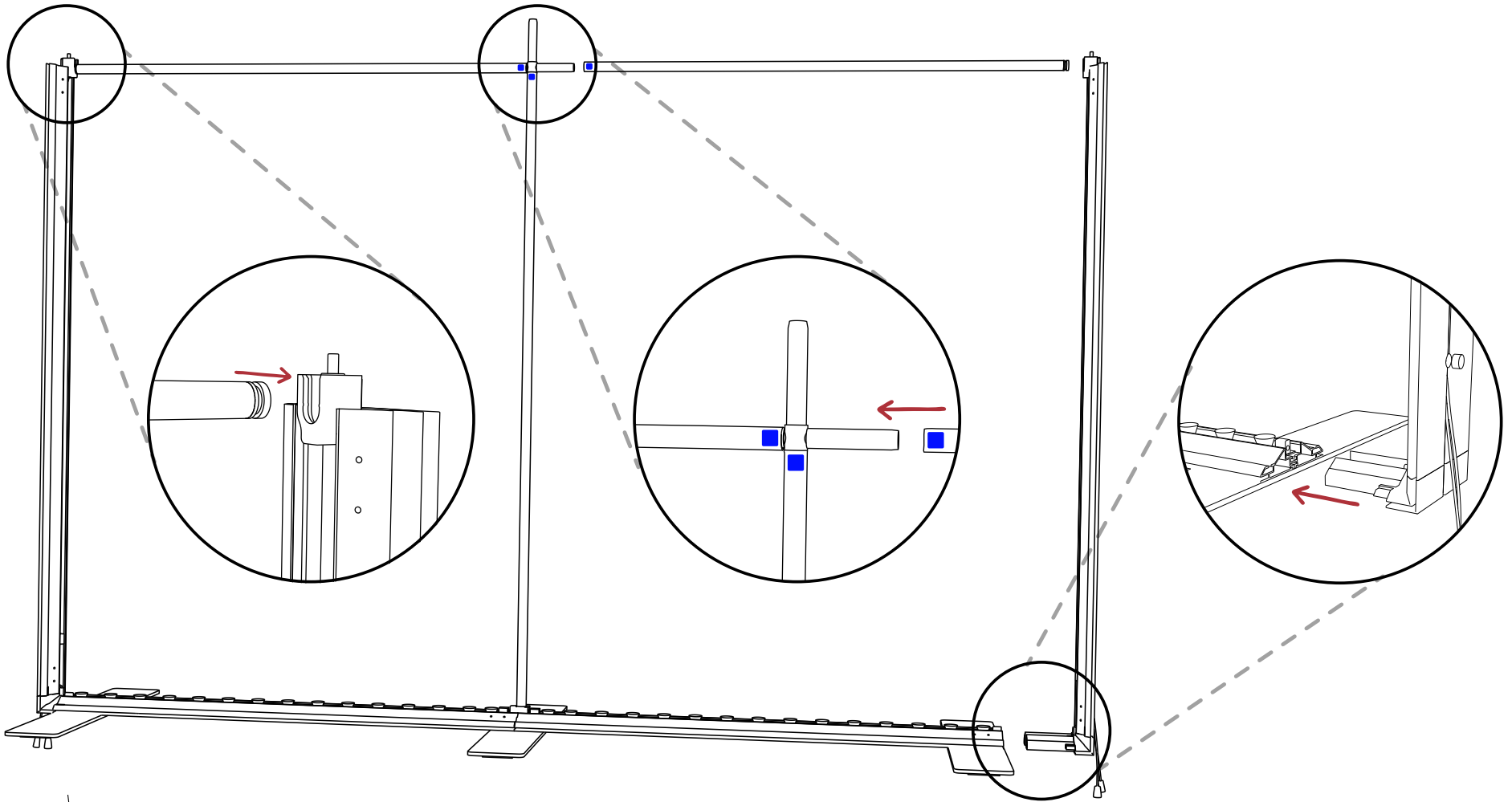


14



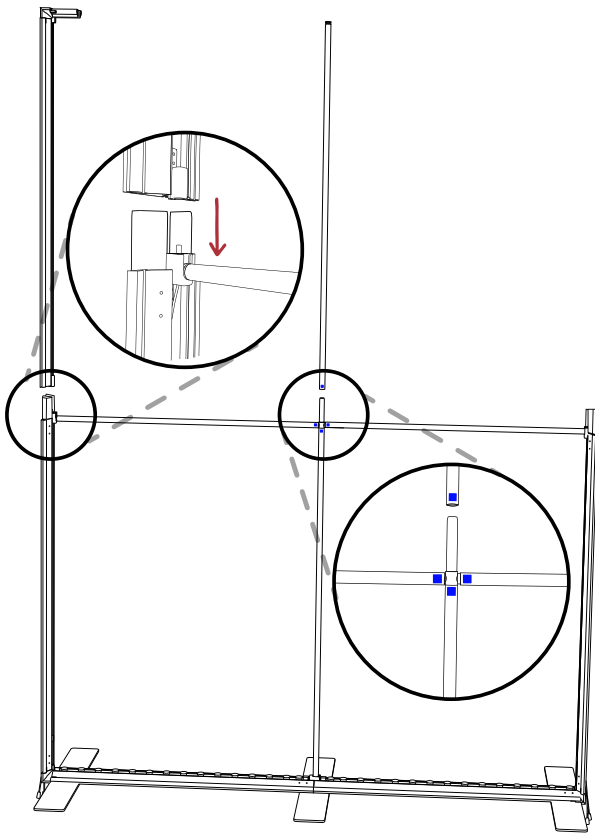
## Assembly of the hardware and graphic

15

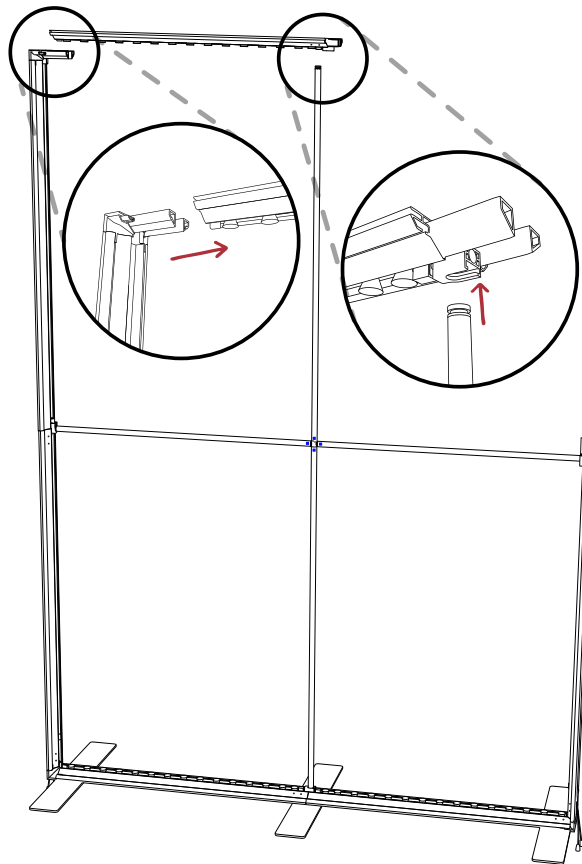


## Assembly of the hardware and graphic

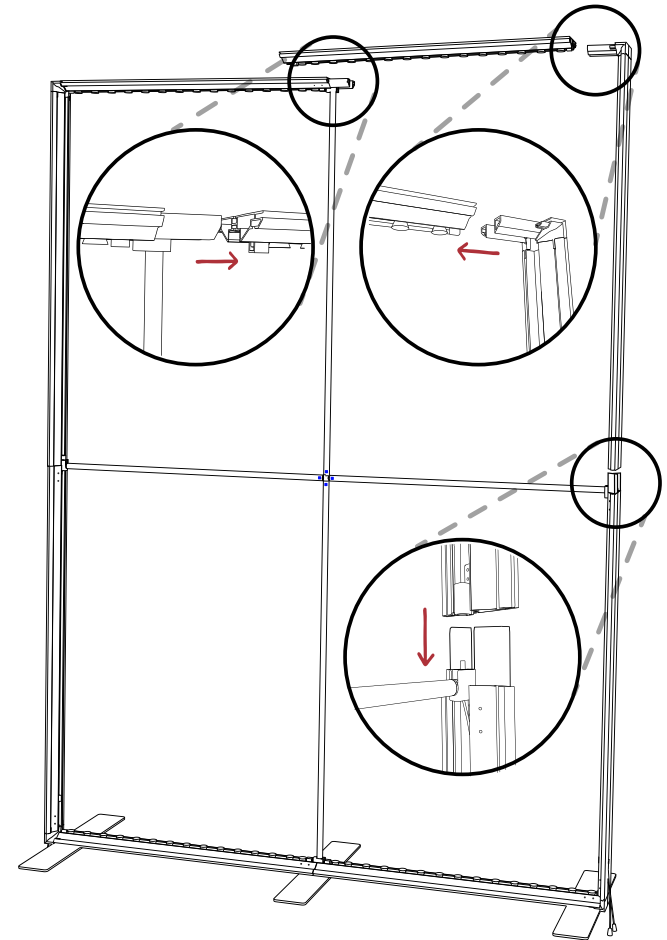
16



17

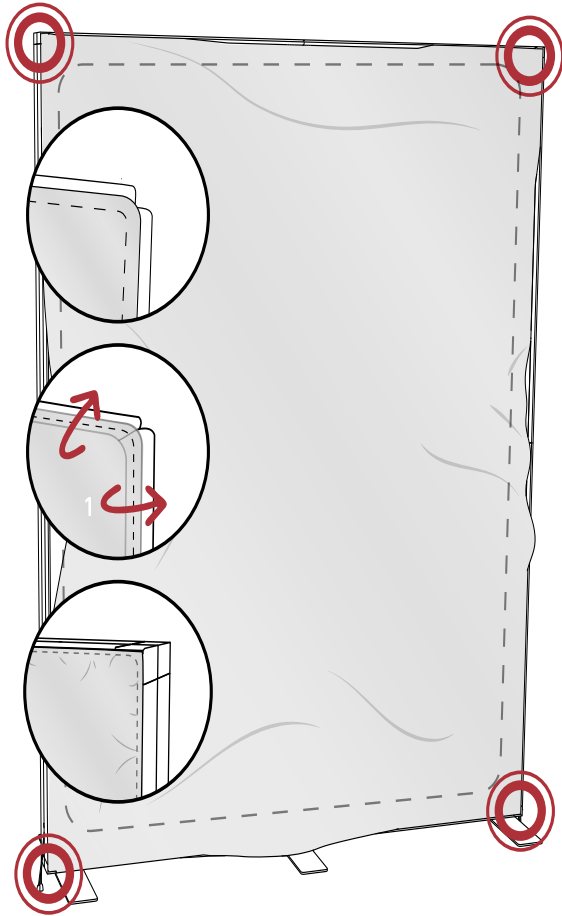


18

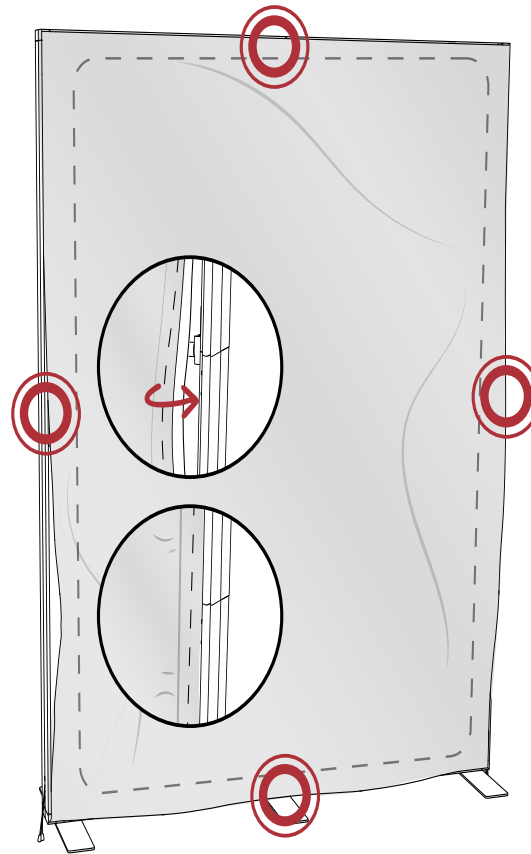


## Assembly of the hardware and graphic

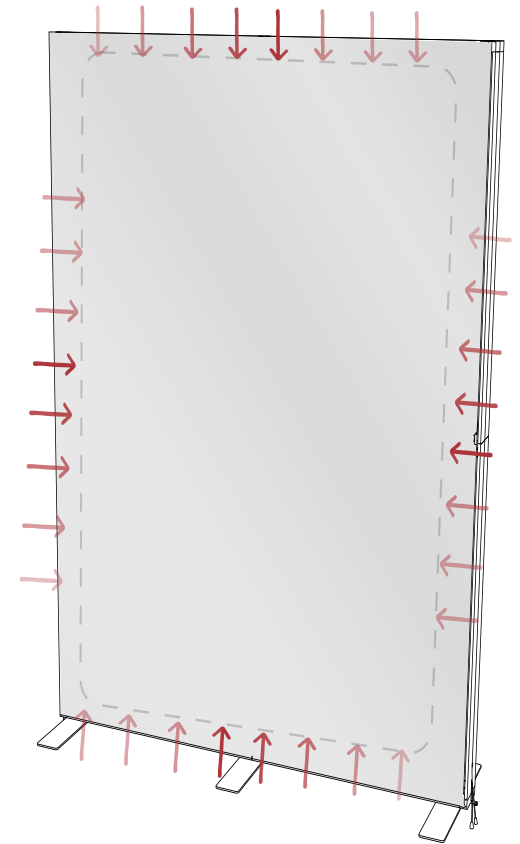
19



20

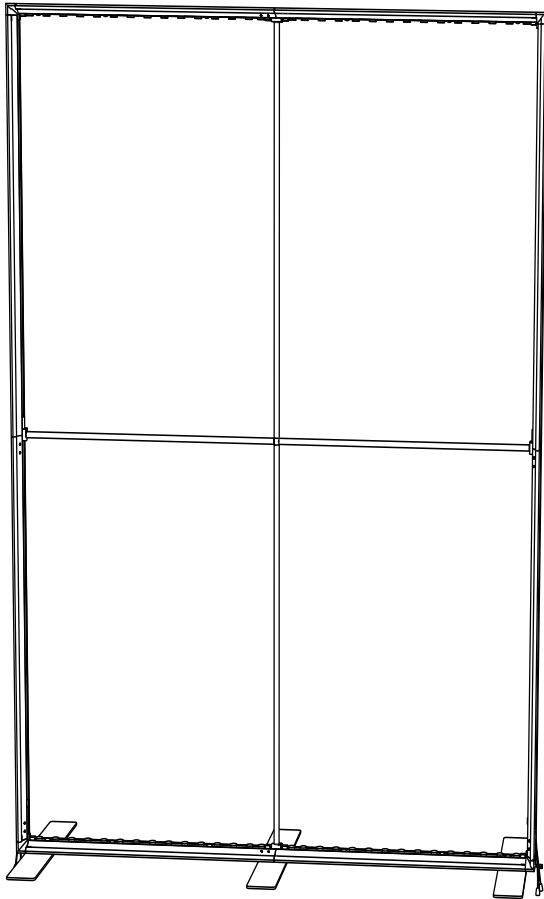


21

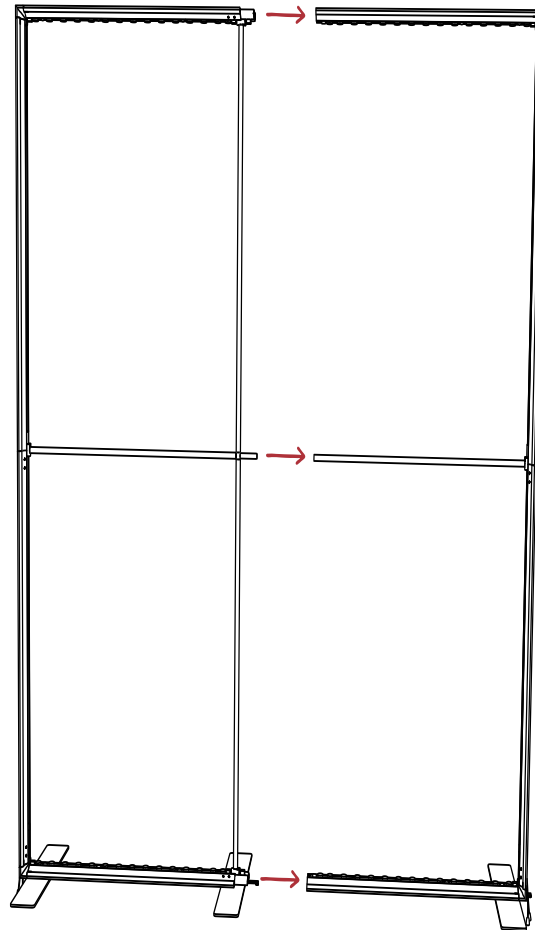


## Assembly of the Extension

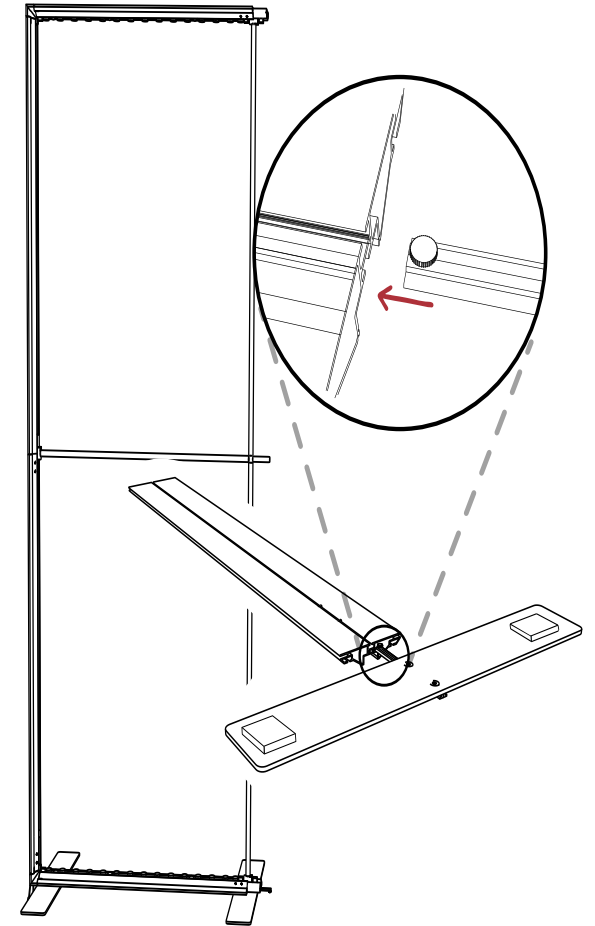
1



2

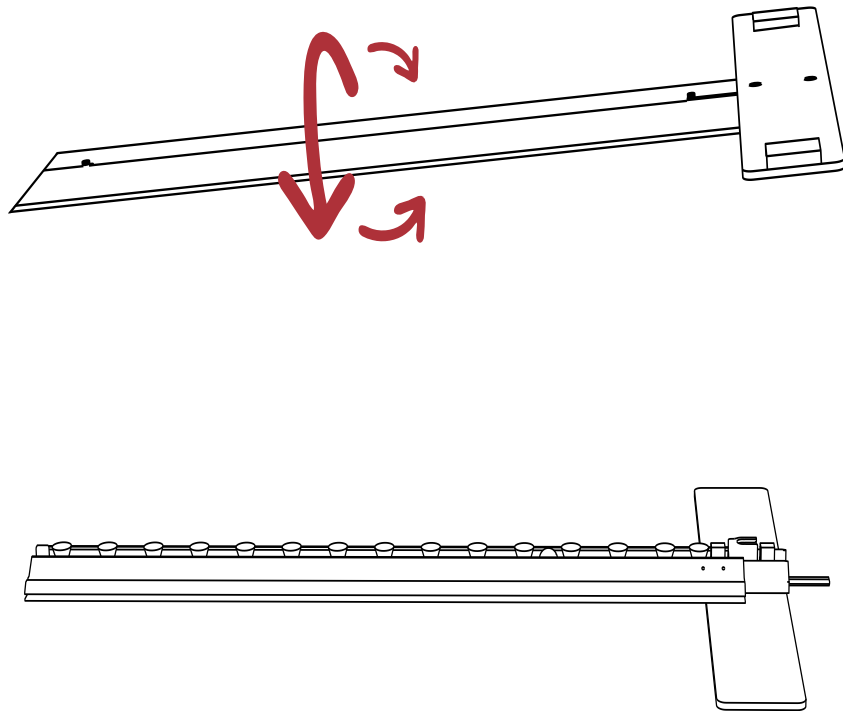


3

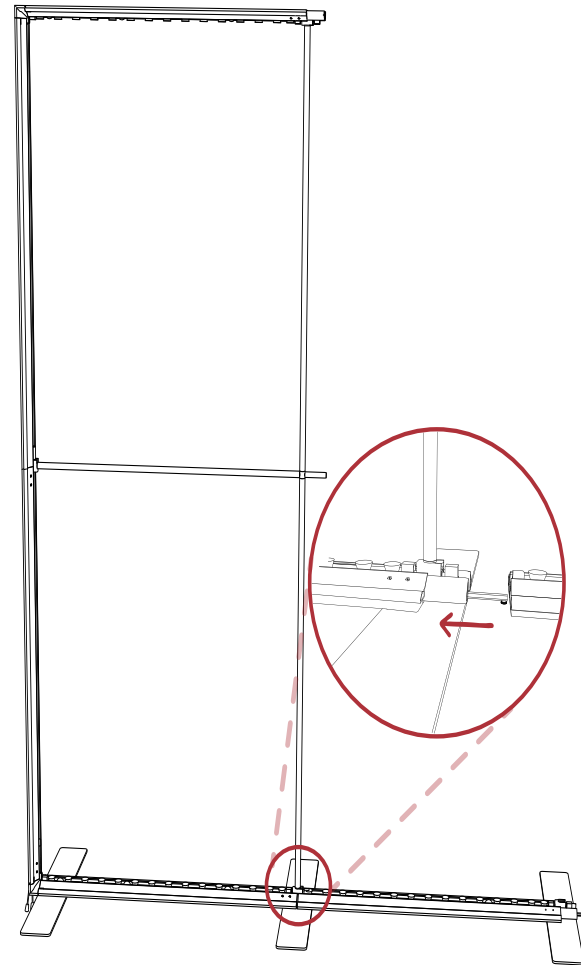


## Assembly of the Extension

4

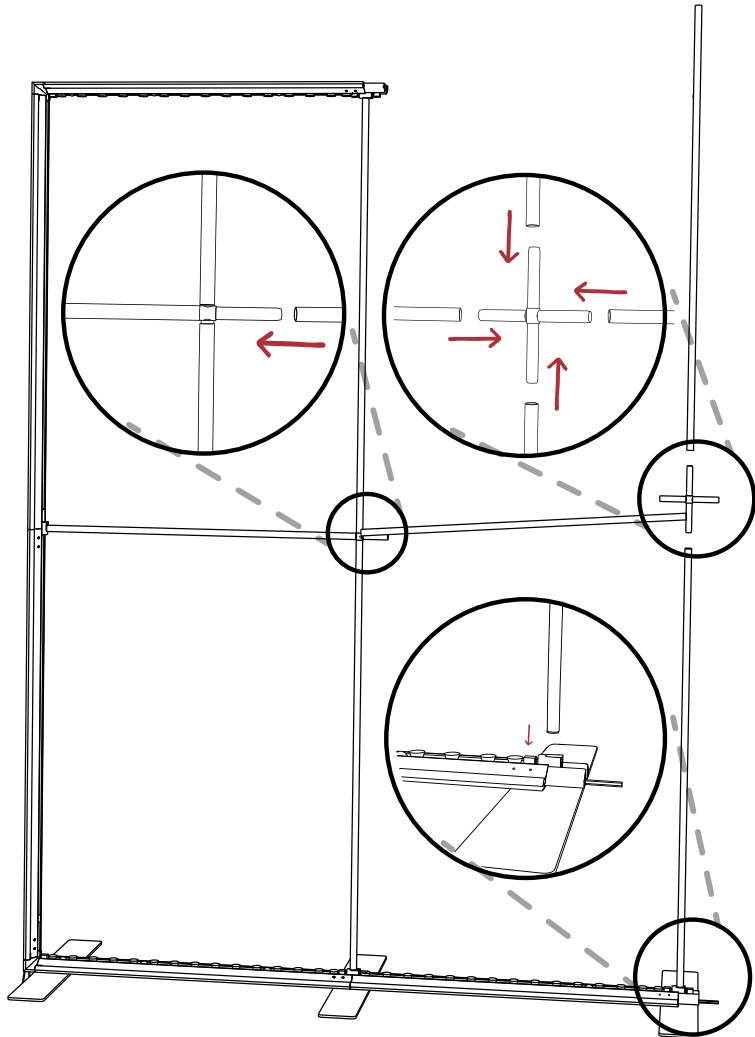


5

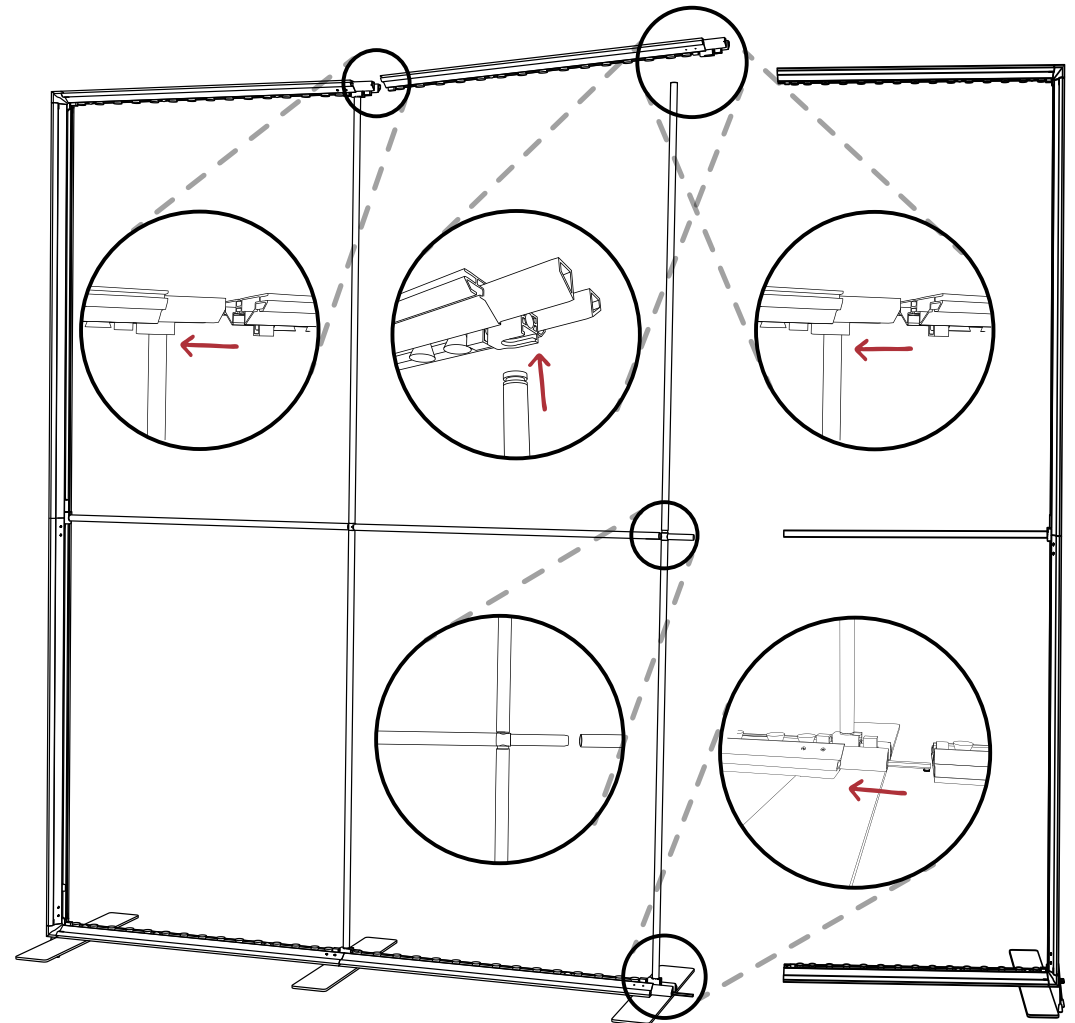


## Assembly of the Extension

6



7



## Assembly of the Extension

8

